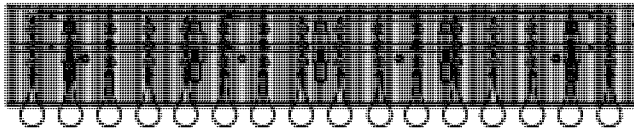


Trade Mark:  
CRYSTAL WORLD INC

Product Name: Wall lamp  
Model :5005W32C-RC  
120Vac, 60Hz,AC ONLY  
Lamp Size:W32"xH7"xE5"

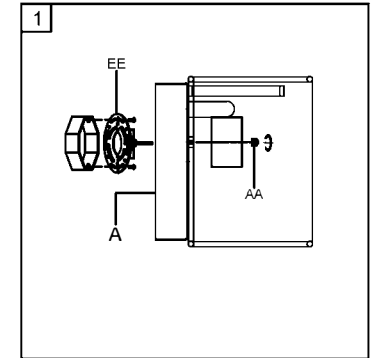


## WALL LAMP ASSEMBLY INSTRUCTIONS

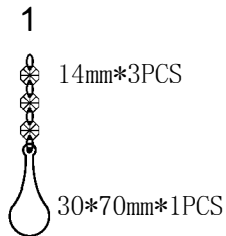
- 1.Place fixture(A) onto Butterfly (EE).  
Secure with cap nuts (AA).

### Hardware Used

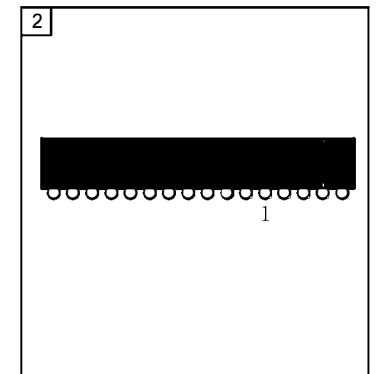
AA Cap nut  X 2




- 2.Please hang the crystal (1) to the fixture.



18PCS



- 3.Install light bulbs ( not included).  
Use bulb  **5\*40W Max.**

